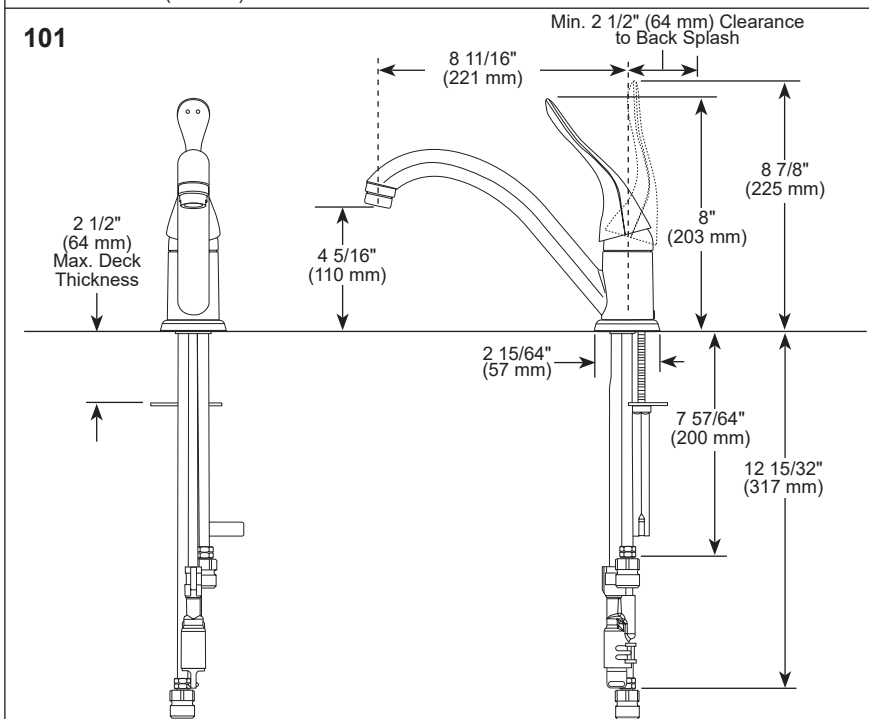
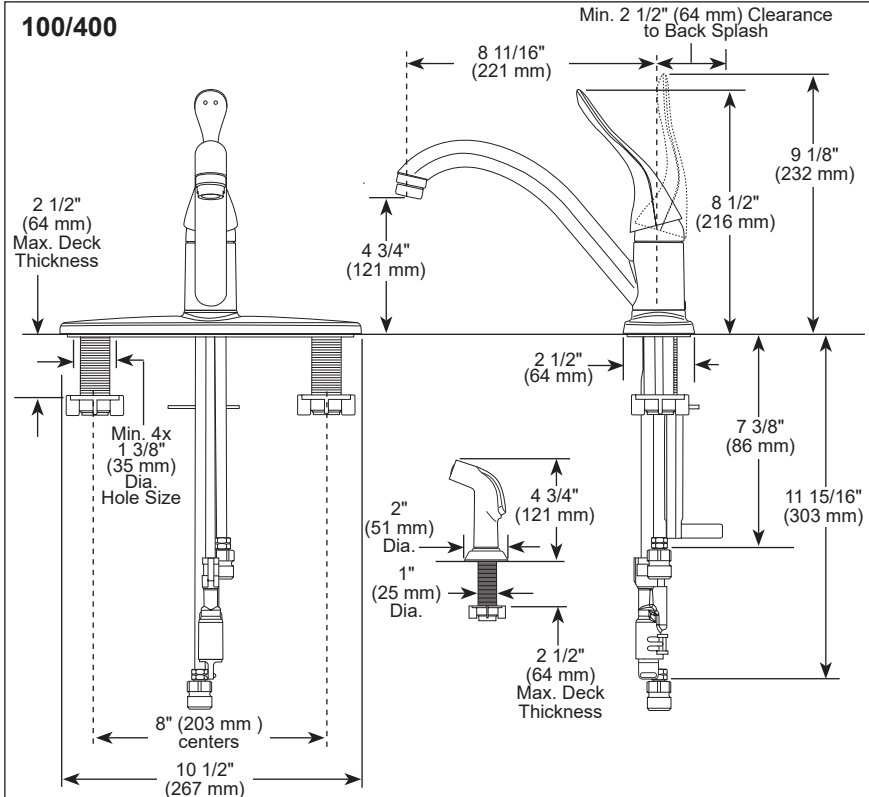
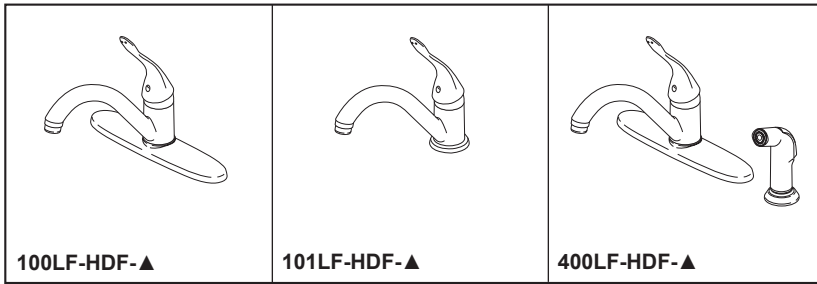




KITCHEN FAUCETS

- Single Handle
- Single, 3 and 4 Hole Sink Applications



▲ Designate proper finish suffix

Delta Faucet Company reserves the right (1) to make changes in specifications and materials, and (2) to change or discontinue models, both without notice or obligation. Dimensions are for reference only. See current full-line price book or www.deltafaucet.com for finish options and product availability.

STANDARD SPECIFICATIONS:

- Max flow rate 1.5 gpm @ 5.7 L/min. vandal resistant aerator
- Single handle kitchen deck faucets for exposed mounting on single, three or four hole sinks.
- All metal fabricated body
- Spout rotates 180°
- Vandal resistant lever handle
- Lever handle shall return to neutral position when faucet is turned off
- Red and blue on handle to indicate hot/cold temperature
- Control mechanism shall be the diamond coated ceramic cartridge
- Adjustable handle limit stop
- 3/8" O.D. straight, staggered copper supply tubes with 1/2" fittings
- Model 400 series with 45" (1143 mm) hose and spray attachment has anti-siphon device as integral part of faucet.
- Mounts on standard 1 3/8" (35 mm) diameter holes on 8" (203 mm) centers.
- Designed for routine 180° F (82° C) disinfection cycles up to 30 mins

WARRANTY

- Parts and Finish – Lifetime limited warranty; or for commercial purchasers, 10 years for multi-family residential (apartments and condominiums) and 5 years for all other commercial uses, in each case from the date the product is received by the original purchaser or their authorized representative (installation contractor, etc.).
- Please go to www.deltafaucet.com for the complete details of our limited warranty

COMPLIES WITH:

- ASME A112.18.1 / CSA B125.1
- NSF/ANSI/CAN 61 & 372
- ICC/ANSI A117.1 - Valve control only

Delta Faucet Company

55 E. 111th Street, Carmel, IN 46280
350 South Edgeware Road, St. Thomas, ON N5P 4L1
© 2026 Delta Faucet Company